

品德博得信任
质量铸就品牌
服务赢占市场

DL DeLin



资格证明文件

河北德林机械有限公司

地址：河北省石家庄市元氏大街271号

邮编：051130

电话：0086-311-86481688 / 86481658 传真：0086-311-86481668

电子邮箱：info@delinco.com, sales@delinco.com

网址：www.delinco.com

河北德林机械有限公司
Hebei Delin Machinery Co.,Ltd.

概述:

DSC(R)系列脱硫泵为单级单吸卧式离心泵,主要作为湿法FGD装置中吸收塔循环泵使用,具有流量范围宽、高效节能等优点。该系列泵结构紧凑,可大大节约占地空间。同时,我公司针对脱硫系统用泵特点开发了多种材料。

General

Series of DSC(R) FGD pump is a single stage, single suction, horizontal, centrifugal pump. It is mainly used as the circulating pump for absorbent tower in FGD appliances. It has such features: wide range capacity, high efficiency. This series of pump with compact structure can save much space. Meanwhile our company develops many kinds of materials targeted on the pump for FGD.

型号意义: Notation



技术特点:

泵过流部件采用先进的水力模型,经CFD流动模拟分析技术优化,使其设计可靠,运行效率高。

调节轴承组件可改变叶轮在泵腔中的位置,使泵机组始终处于高效运行状态。

泵为后拆式结构,结构简单,维修方便,无需拆卸泵的进出水管路。

泵端采用双列圆锥滚子轴承,驱动端采用圆柱滚子轴承,轴承采用稀油润滑,改善了轴承工作条件,大大提高了轴承的寿命。

机械密封采用专用于脱硫工艺的集装式机封,运行可靠。

Feature

CFD flowing simulating analysis technology is adopted to wetted parts of pump, it has reliable property and high operational efficiency.

To adjust bearing assembly can change impeller position in volute, it can keep pump unit in a state of high efficient operation.

The pump is back pull-out construction, it has easy construction and simplifies maintenance. It can be disassembled without dismantling suction & discharge pipes.

Double rows taper roller bearings are fitted on pump end, roller bearings are fitted on drive end. Bearings are lubricated by oil which can modify bearing working condition and increase wear life of bearings.

Mechanical seal adopted is special for cartridge mechanical seal which is used in FGD process with reliable operation.

材料的选用:

我公司专门为FGD装置开发研制了一种新型双相不锈钢白口铁材料, 该材料具有双相不锈钢的耐腐蚀性和高铬白口铁的耐磨性, 使其在FGD流程中具有显著的耐磨耐腐蚀性。

泵体、泵盖和接合板为承压件, 采用球墨铸铁;

胶泵结构中: 叶轮, 前护板为双相不锈钢白口铁, 前护套、后护套、后护板的材料为天然橡胶, 吸入盖为球铁贴胶具有天然的良好耐磨蚀性能, 且重量轻, 成本相对较低。

金属内衬中: 叶轮、护套、前护板、后护板双相不锈钢白口铁, 吸入盖为球铁贴胶。



Material adopted

Our company developed a special kind of new material duplex phase stainless white iron on FGD device. The material has anti-corrosive property of duplex stainless steel and anti-abrasive property of high chrome white iron, so that it has remarkable anti-abrasive and anti-corrosive property in FGD process.



Pump casing, pump cover and joint plate are bearing pressure parts which are made of ductile iron.

Rubber lined pump: impeller, suction cover/front liner insert are made of duplex phase stainless white iron.

front liner, back liner, back liner insert material is natural rubber which has good anti-corrosive property with light weight, low cost.

Metal lined pump: impeller, volute liner, front liner insert, back liner insert are made of duplex stainless white iron.

Suction cover is made of ductile iron with rubber stuck.

DSC(R)系列脱硫泵结构图 Construction Drawing of Series DSC(R) FGD Pump

图1 Fig.1

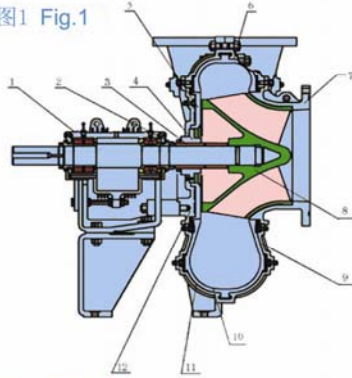
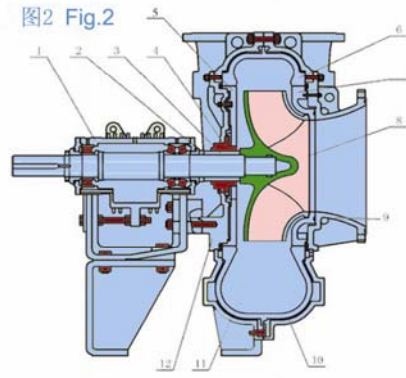


图2 Fig.2



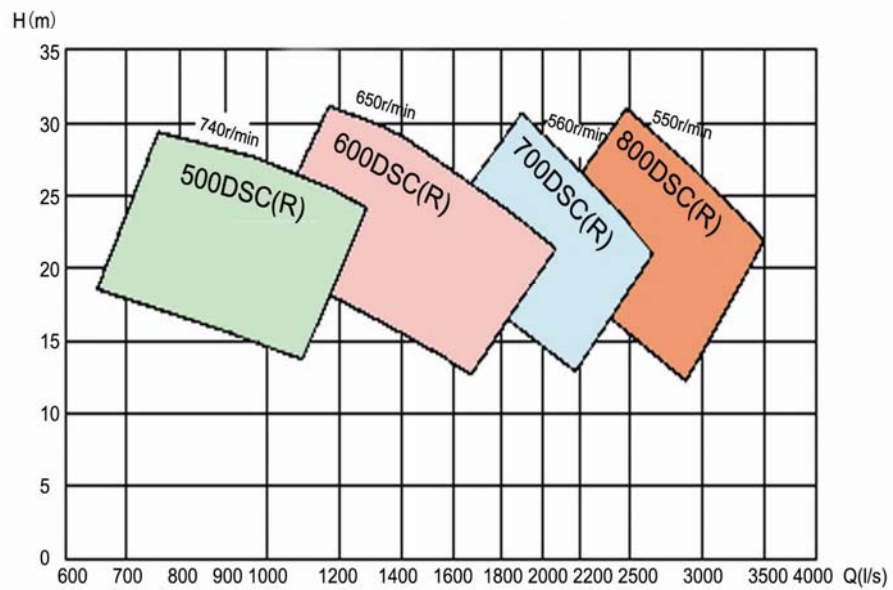
表一 Table 1

序号 Item No.	名称 Part Name	材料 Material	序号 Item No.	名称 Part Name	材料 Material
1	托架 Base	——	7	吸入盖 Suction Cover	QT500-7+橡胶或 H59 QT500-7+Rubber or H59
2	叶轮拆卸环 Impeller Release Collar	不锈钢 Stainless Steel	8	叶轮 Impeller	H59
3	轴套 Shaft Sleeve	ZG0Cr18Ni12Mo2Ti	9	泵盖 Pump Cover	QT500-7
4	机械密封 Mechanical Seal	——	10	后护套 Back Liner	天然橡胶+A3 N.R.+A3
5	后护板 Back Liner Insert	天然橡胶+A3 N.R.+A3	11	泵体 Pump Casing	QT500-7
6	前护套 Front Liner	天然橡胶+A3 N.R.+A3	12	接合板 Joint Plate	QT500-7

表二 Table 2

序号 Item No.	名称 Part Name	材料 Material	序号 Item No.	名称 Part Name	材料 Material
1	托架 Base	——	7	前护板 Front Liner Insert	H59
2	叶轮拆卸环 Impeller Release Collar	不锈钢 Stainless Steel	8	叶轮 Impeller	H59
3	轴套 Shaft Sleeve	ZG0Cr18Ni12Mo2Ti	9	吸入盖 Suction Cover	QT500-7+橡胶或 H59 QT500-7+Rubber or H59
4	机械密封 Mechanical Seal	——	10	泵盖 Pump Cover	QT500-7
5	后护板 Back Liner Insert	H59	11	泵体 Pump Casing	QT500-7
6	护套 Volute Liner	H59	12	接合板 Joint Plate	QT500-7

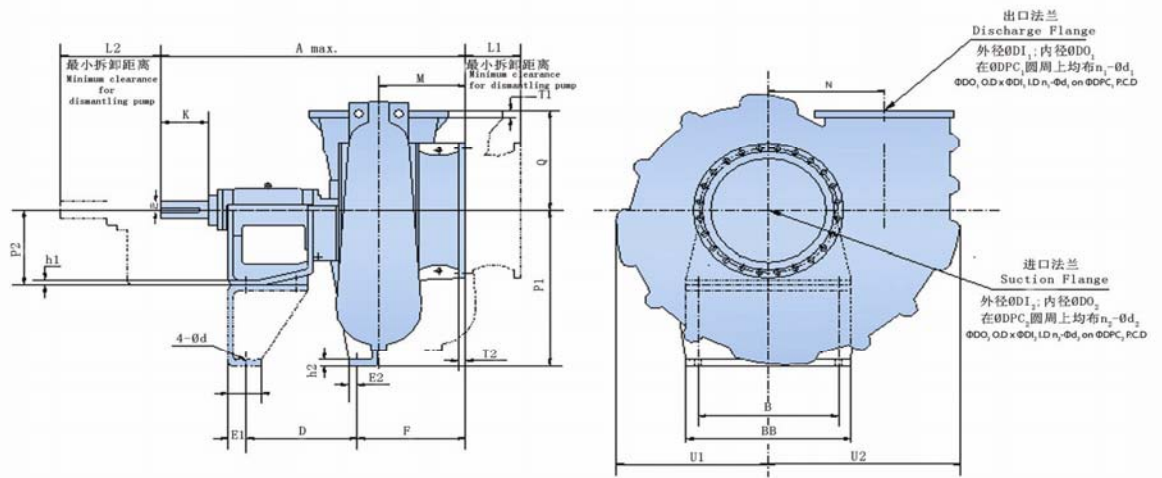
DSC(R)系列脱硫泵型谱图 Selection Chart of Series DSC(R) FGD Pump



DSC(R)系列脱硫泵性能参数 Performance Parameter of Series DSC(R) FGD Pump

型号 Type	流量 Capacity(Q)		扬程 Head(H)	转速 Speed(n)	效率 Eff.(η)	必须汽蚀余量 NPSHr	排出口直径/吸入口直径 Discharge Dia./ Suction Dia.
	m ³ /h	l/s	m	r/min.	%	m	(mm/mm)
500DSC(R)	3900	1083	26	740	85	5	500/500
600DSC(R)	6300	1750	26	650	88	4.1	600/700
700DSC(R)	7600	2111	27	560	87	4.3	700/800
800DSC(R)	9800	2722	27	550	90	5.2	800/900

DSC(R)系列脱硫泵外形和安装尺寸图 Outline and Installation Dimension of Series DSC(R) FGD Pump



型号 Type	安装尺寸 Installation Dimension								轴 Shaft		安装尺寸 Installation Dimension					重量 Weight (KG)
	A	BB	B	D	E1	E2	F*	h1	h2	J	K	M*	L1	L2	d	
500DSC (R)	1773	1000/960	850	652	110	551	595	35	40	120	210	421	150	400	f42/f40	4000
600DSC (R)	1855	960	850	670	110	50	667	35	40	120	284	525	330	610	f39	4580
700DSC (R)	2315	1300	1100	895	130	75	768	40	45	150	355	583	375	720	f51	7280
800DSC (R)	2460	1300	1100	885	135	75	933	40	45	150	355	712	550	800	f51	8300

型号 Type	安装尺寸 Installation Dimension							进口法兰 Suction Flange					出口法兰 Discharge Flange					
	N	P1	P2	Q*	T1*	T2*	U1	U2	DO ₂	DI ₂	n ₂	d ₂	DPC ₂	DO ₁	DI ₁	n ₁	d ₁	DPC ₁
500DSC (R)	580	950	500	665	60	44	735	946	715	500	20	33	650	715	500	18	33	650
600DSC (R)	700	1050	500	775	48	40	901	1155	910	600	24	30	840	840	600	18	36	770
700DSC (R)	780	1290	700	930	68	60	1080	1350	1025	768	24	40	950	1025	700	22	40	950
800DSC (R)	930	1400	700	985	62	62	1141	1493	1125	900	28	40	1050	1125	800	26	40	1050

*处尺寸包括橡胶密封垫的尺寸。 *The dimension includes the dimension of rubber seal.